

**Code:** P419002  
**Item:** Live line connector DP-2

## PRODUCT TECHNICAL SPECIFICATION

**Description:** Designed for uninsulated main lines made of aluminum or ACSSR and branch lines made of uninsulated copper, aluminum or ACSR. Live line connectors are applied by sticks.

**Rated voltage:** Medium voltage

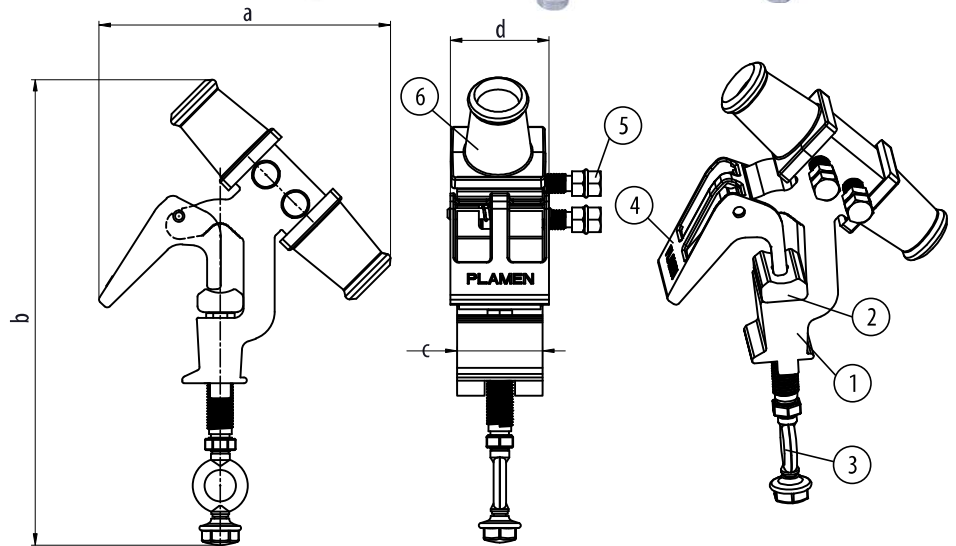
**Main conductor cross-section:** Al 25-325 mm<sup>2</sup>  
 ACSR 6-23 mm diameter

**Branch conductor cross-section:** Al 16-240 mm<sup>2</sup>  
 Cu 16-185 mm<sup>2</sup>  
 ACSR 5-20.5 mm diameter



### Dimensions

**a [mm]** 154 mm  
**b [mm]** 245 mm  
**c [mm]** 45 mm  
**d [mm]** 52 mm

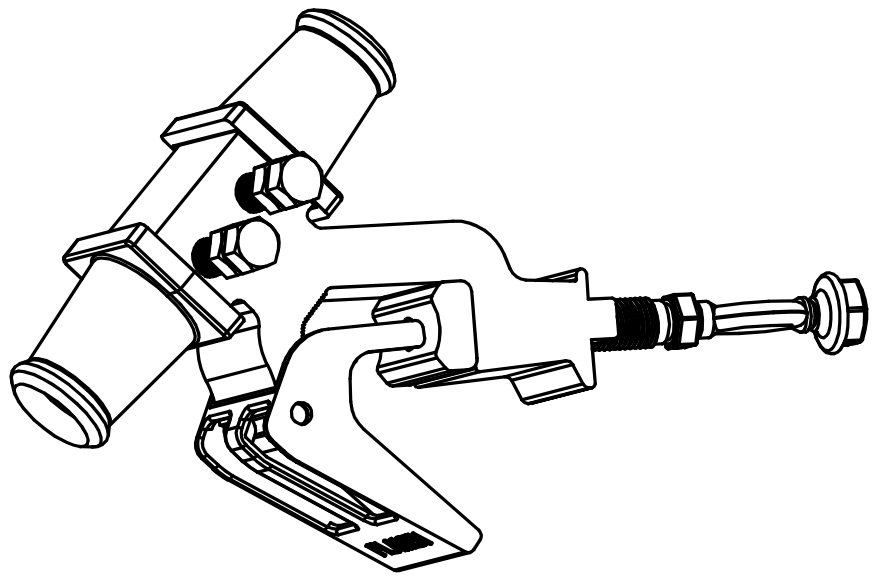
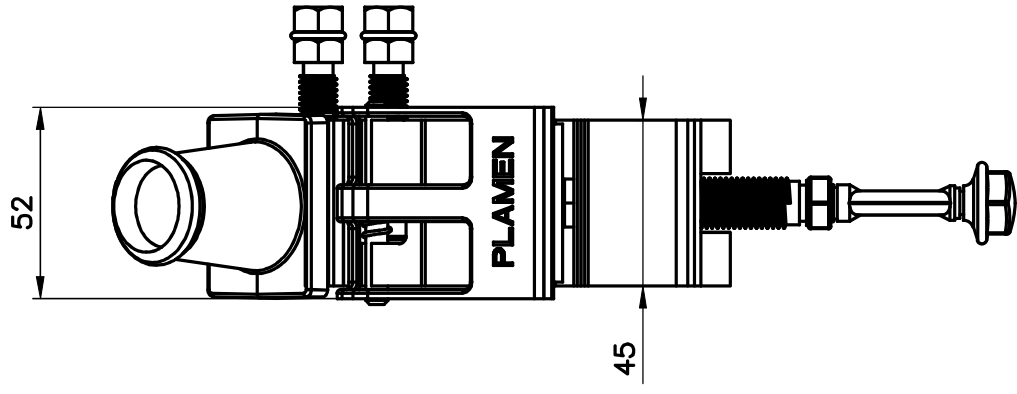
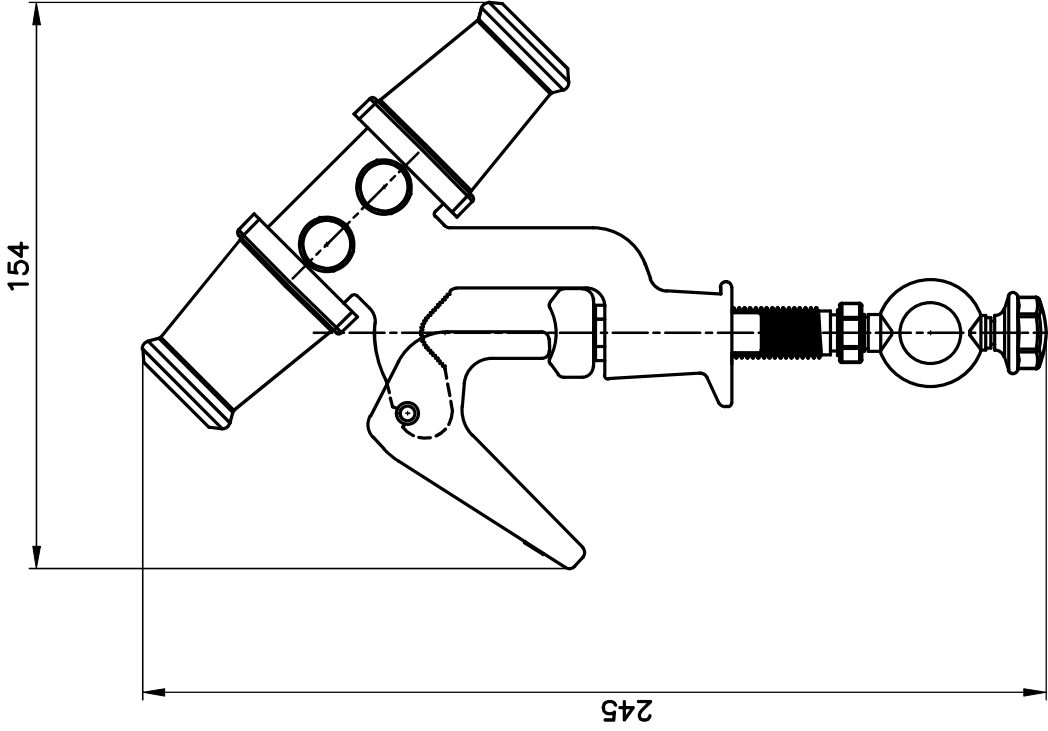


### Other characteristics

- Material:**
- ① Aluminum alloy
  - ② Aluminum alloy
  - ③ Aluminum alloy
  - ④ Plastic
  - ⑤ Aluminum alloy
  - ⑥ Rubber

**Ambient temperature:** -60 °C ... +85 °C

**Standard:** EN 61284



Ment. broj:		Masa:		Razmera:		1:1	
Datum:		Naziv:		Live line connector DP-2		List: 1	
Konstr. D. Filipovic	07.12.2020.					Crtna osovina: P41-90-02	
Crtao D. Filipovic						Lisni broj: 1	
Štam. D. Filipovic						Zamena za: 1	
Oblikovao						Zamena za:	
Svr. iz. izmena:		Datum:		Prep:		Lisni broj: 1	
						Zamena za:	

